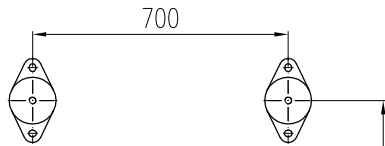
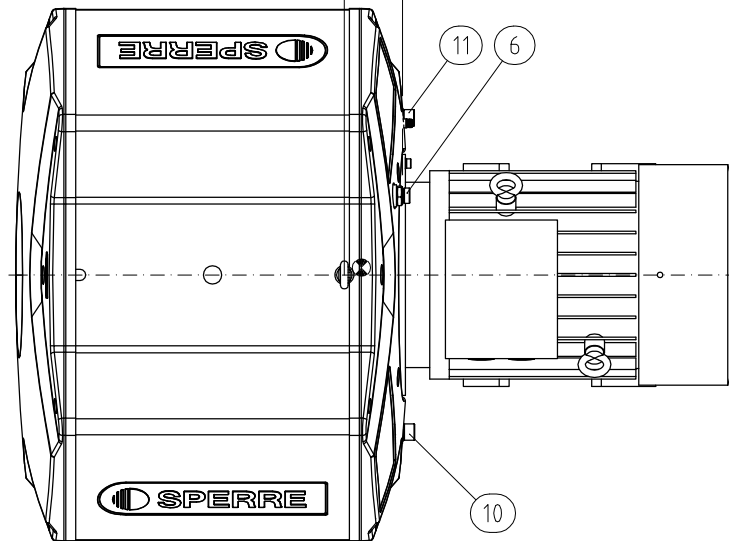
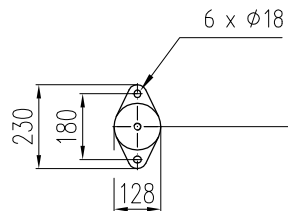


Footprint



Note:
All dampers can be rotated 360°



Maintenance space all sides of compressor: Approx. 600 mm

| 11 | 1 | Cooling water outlet | 1 1/4" BSP |
|-----|-----|----------------------|-----------------------------|
| 10 | 1 | Cooling water inlet | 1 1/4" BSP |
| 9 | 1 | Plug & Go connection | |
| 8 | 1 | Cable entry | |
| 7 | 1 | Lifting point | |
| 6 | 1 | Air outlet H.P. | 1 1/4" BSP |
| 5 | 1 | Valve, L.P. drain | 3/4" BSP w/90 degrees elbow |
| 4 | 1 | Valve, H.P. drain | 3/4" BSP w/90 degrees elbow |
| 3 | 3 | Vibration dampers | |
| 2 | 1 | Electrical motor | |
| 1 | 1 | Air Compressor | XW500 |
| Pos | Qty | Description | Remarks |

| | | | | | | |
|---|--|---|---|---------------------------|--------------------|----------|
| AutoCad Drawn 01.12.09 RD Approved | | Scale: 1:15 Format: A3 Rev.index No. Date | SPERRE Sperre Industri AS N-6057 Ellingsøy, Norway | Former dwg.: New dwg.: | Drawing no. GXW500 | Revision |
|---|--|---|---|---------------------------|--------------------|----------|

This drawing is the property of Sperre Industri AS. It is not to be reproduced, copied or otherwise used without our written consent.