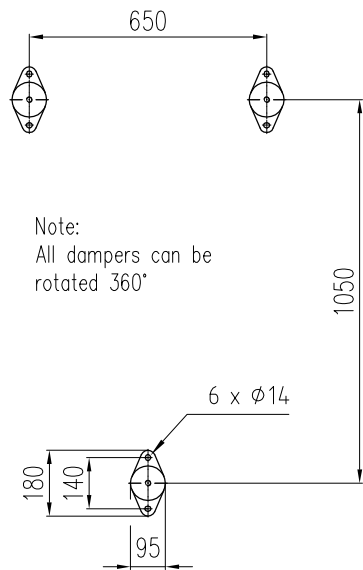
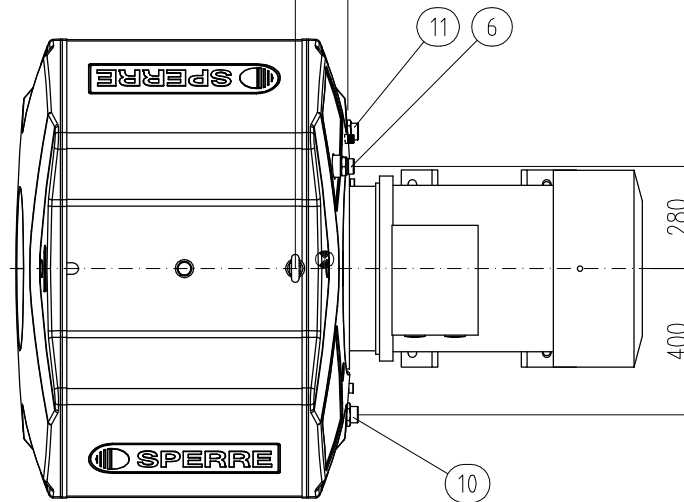


Footprint



Note:
All dampers can be rotated 360°



Maintenance space all sides of compressor: Approx. 600 mm

Pos	Qty	Description	Remarks
11	1	Cooling water outlet	1 1/4" BSP
10	1	Cooling water inlet	1 1/4" BSP
9	1	Plug & Go connection	
8	1	Cable entry	
7	1	Lifting point	
6	1	Air outlet H.P.	1 1/4" BSP
5	1	Valve, L.P. drain	3/4" BSP
4	1	Valve, H.P. drain	3/4" BSP w/90 degrees elbow
3	3	Vibration dampers	
2	1	Electrical motor	
1	1	Air Compressor	XW300

Cad system: AutoCad		Scale: 1:15	Format: A3	Rev.index No. Date	GENERAL ARRANGEMENT Water-Cooled Air Compressor XW300
Drawn Approved		01.12.09	RD		
Sperre Industri AS N-6057 Ellingsøy, Norway		Former dwg.:	Drawing no.:	GYW300 Revision:	

This drawing is the property of Sperre Industri AS
 and can not be used, copied or
 otherwise used without our written consent.