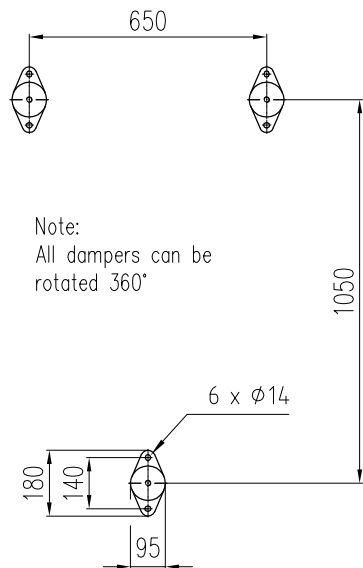
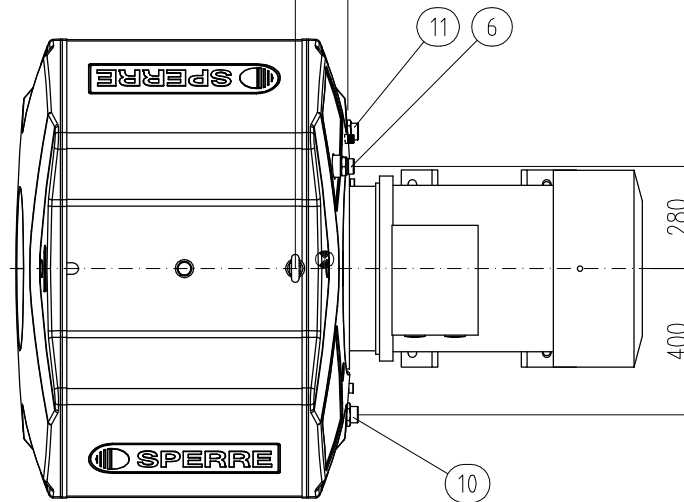


Footprint



Note:  
All dampers can be rotated 360°



Maintenance space all sides of compressor: Approx. 600 mm

Pos	Qty	Description	Remarks
11	1	Cooling water outlet	1 1/4" BSP
10	1	Cooling water inlet	1 1/4" BSP
9	1	Plug & Go connection	
8	1	Cable entry	
7	1	Lifting point	
6	1	Air outlet H.P.	1 1/4" BSP
5	1	Valve, L.P. drain	3/4" BSP
4	1	Valve, H.P. drain	3/4" BSP w/90 degrees elbow
3	3	Vibration dampers	
2	1	Electrical motor	
1	1	Air Compressor	XW250

AutoCad	Scale	Format	Rev.index	GENERAL ARRANGEMENT	
Drawn	No.	Date	No.	Date	Water-Cooled Air Compressor
					XW250
Approved			Former dwg.:		Drawing no. GXW250
 Sperre Industri AS N-6057 Ellingsøy, Norway			New dwg.:		Revision

This drawing is the property of Sperre Industri AS  
 and may not be reproduced, copied or  
 otherwise used without our written consent.