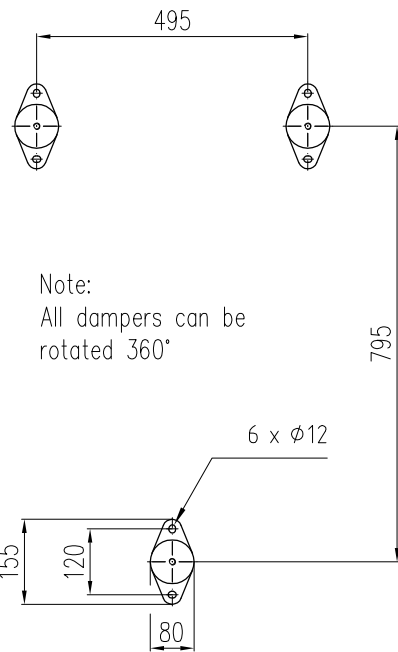
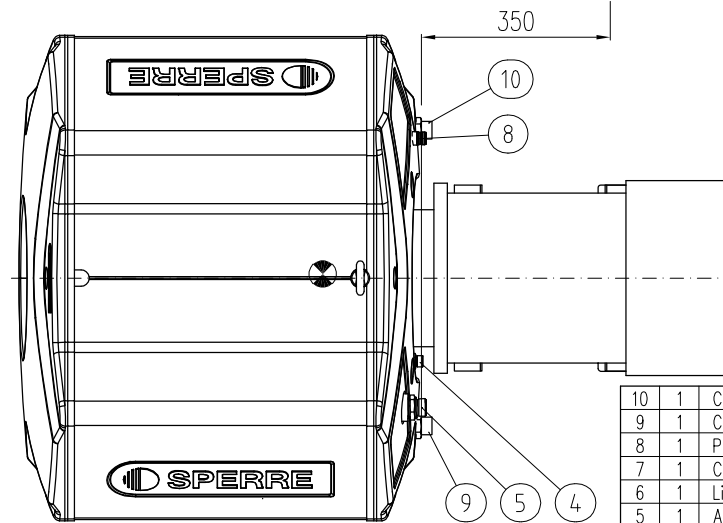


**Footprint**



Note:  
All dampers can be rotated 360°



Maintenance space all sides of compressor: Approx. 600 mm

10	1	Cooling water outlet	1" BSP
9	1	Cooling water inlet	1" BSP
8	1	Plug & Go connection	
7	1	Cable entry	
6	1	Lifting point	
5	1	Air outlet H.P.	1" BSP
4	1	Valve, H.P. drain	1/2" BSP w/90 degrees elbow
3	3	Vibration dampers	
2	1	Electrical motor	
1	1	Air Compressor	XW090
Pos	Qty	Description	Remarks

Cad system:	Scale:	Format:	Rev.index
AutoCad	1:10	A3	No.   Date
Drawn	30.11.09	RD	
Approved			

**SPERRE**  
Sperre Industri AS  
N-6057 Ellingsøy, Norway

GENERAL ARRANGEMENT  
Water-Cooled Air Compressor  
XW090

Former dwg.:  
New dwg.:  
Drawing no. GXW090  
Revision

This drawing is the property of Sperre Industri AS and can not be made public, copied or otherwise used without the written consent.