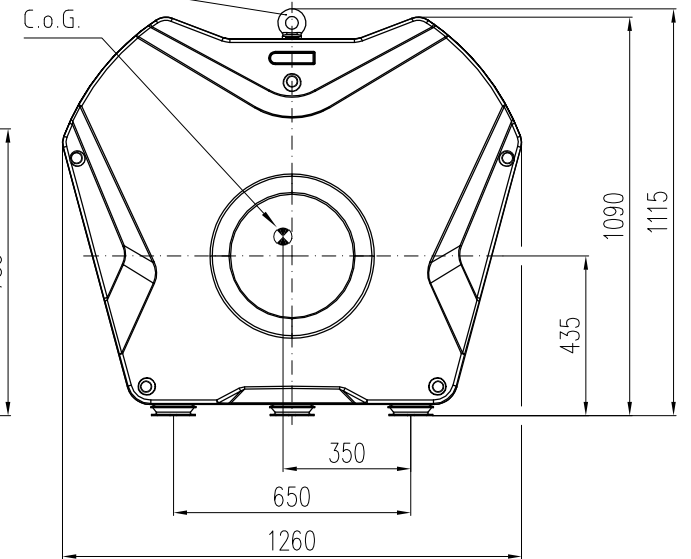
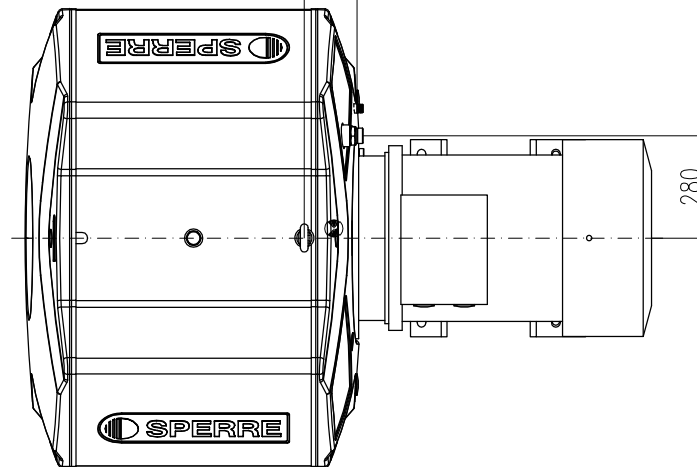
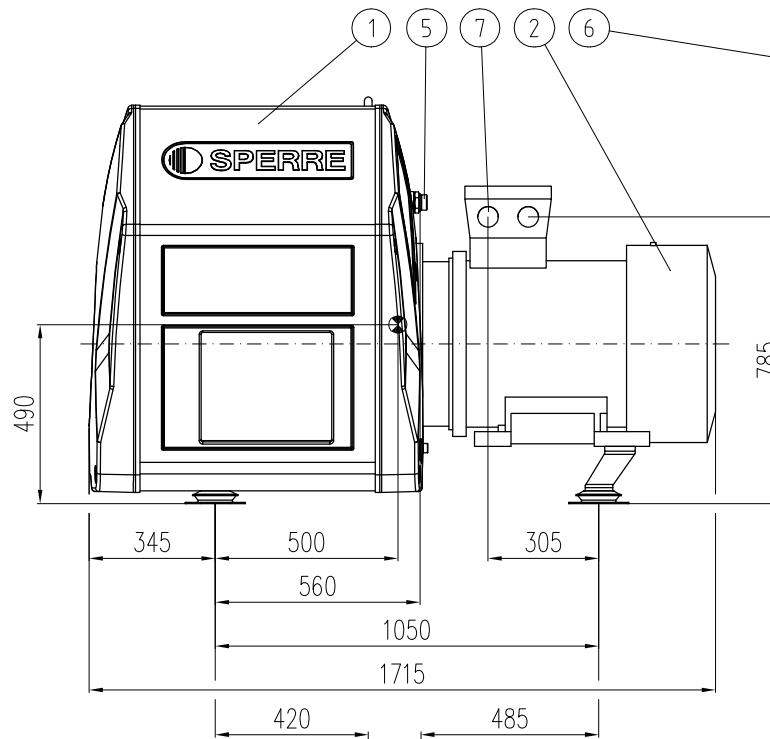
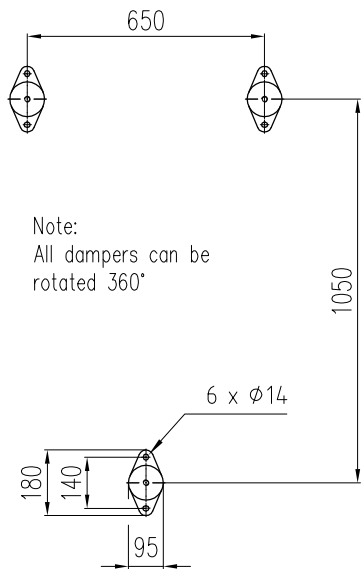


Footprint



Maintenance space all sides of compressor: Approx. 600 mm

Pos	Qty	Description	Remarks
8	1	Plug & Go connection	
7	1	Cable entry	
6	1	Lifting point	
5	1	Air outlet H.P.	1 1/4" BSP
4	1	Valve, H.P. drain	3/4" BSP w/90 degrees elbow
3	3	Vibration dampers	
2	1	Electrical motor	
1	1	Air Compressor	XA250

Cad system: AutoCad		Scale: 1:15	Format: A3	Rev.index No. Date	GENERAL ARRANGEMENT Air-Cooled Air Compressor XA250
Drawn		24.11.09	RD		
Approved					
Sperre Industri AS N-6057 Ellingsøy, Norway		Former dwg.:	Drawing no.:	GXA250	Revision:

This drawing is the property of Sperre Industri AS
 and may not be reproduced, copied or
 otherwise used without our written consent.