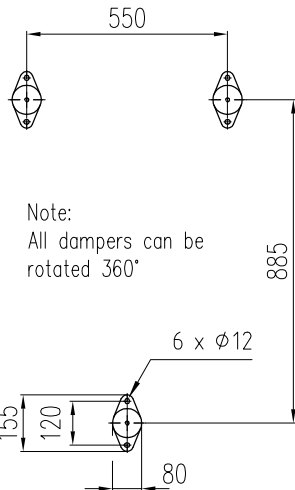
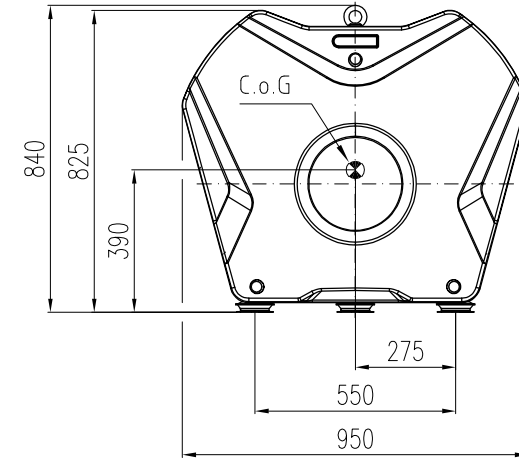
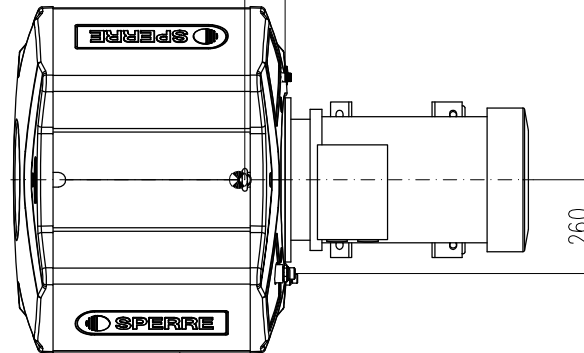
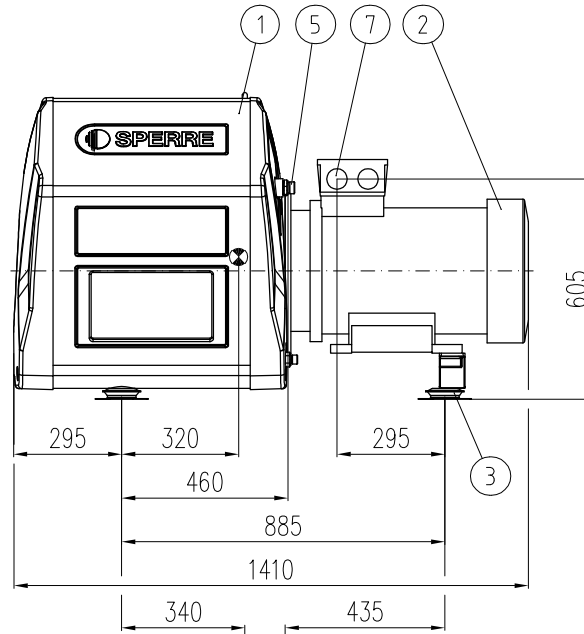


Footprint



Note:
All dampers can be rotated 360°



Maintenance space all sides of compressor: Approx. 600 mm

Pos	Qty	Description	Remarks
8	1	Plug & Go connection	
7	1	Cable entry	
6	1	Lifting point	
5	1	Air outlet H.P.	1" BSP
4	1	Valve, H.P. drain	3/4" BSP
3	3	Vibration dampers	
2	1	Electrical motor	
1	1	Air Compressor	XA120

Cad system: AutoCad Drawn: 30.11.09 Approved:		Scale: 1:15 Format: A3 Rev. index: No. Date	Former dwg.: New dwg.:	Drawing no.: GXA120 Revision:
---	--	---	---------------------------	----------------------------------



This drawing is the property of Sperre Industri AS
 and can not be used, copied or
 otherwise used without our written consent.