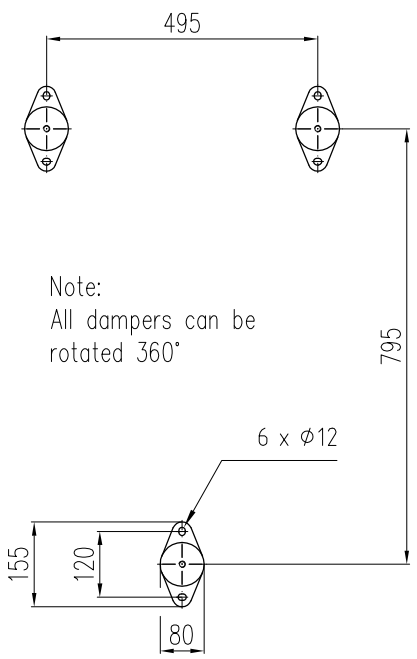
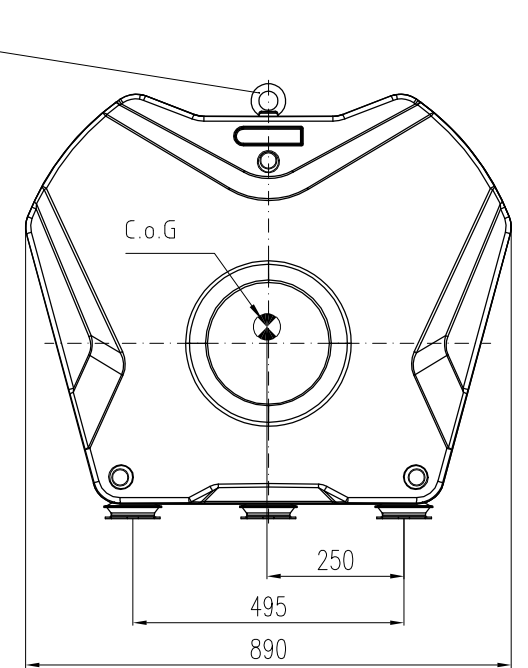
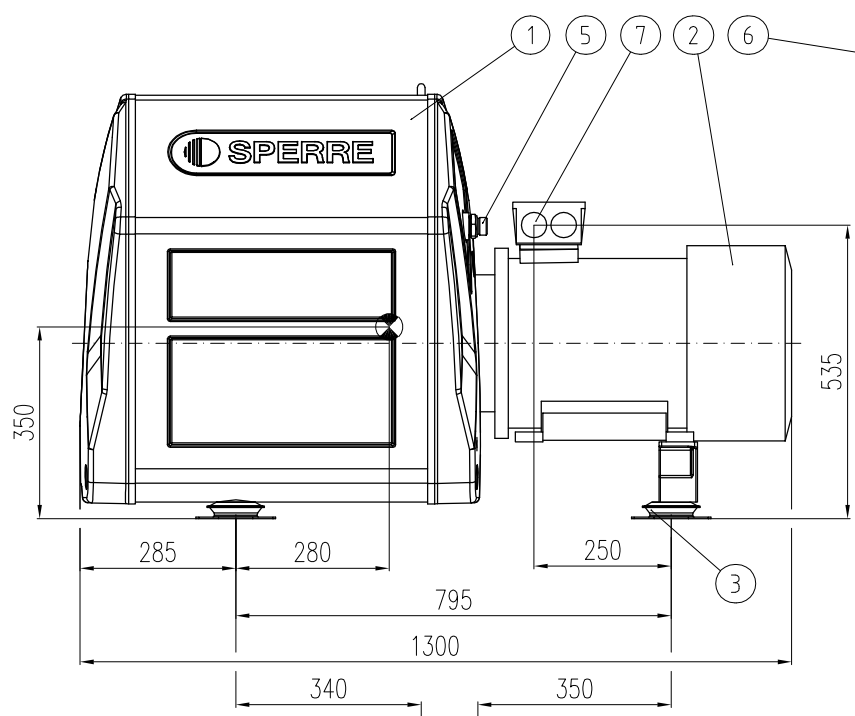
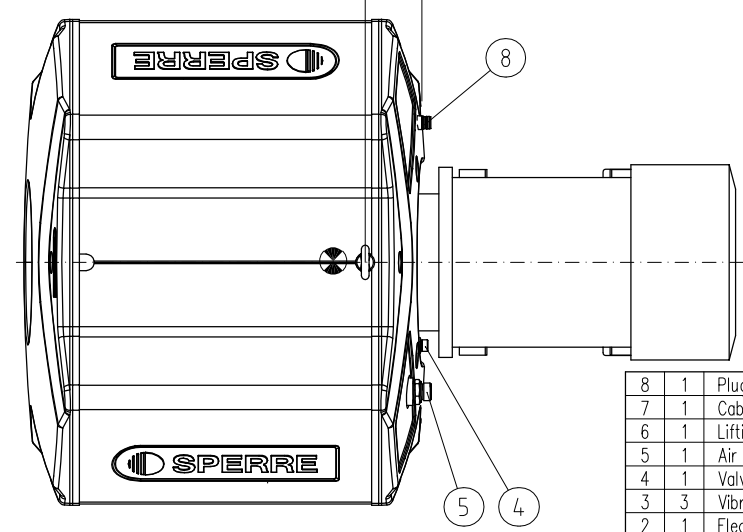


Footprint



Note:
All dampers can be
rotated 360°



Maintenance space all sides of compressor: Approx. 600 mm

Pos	Qty	Description	Remarks
8	1	Plug & Go connection	
7	1	Cable entry	
6	1	Lifting point	
5	1	Air outlet H.P.	1" BSP
4	1	Valve, H.P. drain	1/2" BSP w/90 degrees elbow
3	3	Vibration dampers	
2	1	Electrical motor	
1	1	Air Compressor	XA090

Cad system: AutoCad		Scale: 1:10	Format: A3	Rev.index No. Date	GENERAL ARRANGEMENT Air-Cooled Air Compressor XA090
Drawn		24.11.09	RD		
Approved					
SPERRE Sperre Industri AS N-6057 Ellingsey, Norway				Former dwg.: New dwg.:	Drawing no. GXA090

This drawing is the property of Sperre Industri AS
 and can not be made public, copied or
 otherwise used without our written consent.